

# Only the Chemap<sup>®</sup>-Filter offers these advantages in a horizontal plate pressure filter

## Features

### Construction

## Advantages

- Closed System
- Even Cake Deposition
- Total automatic removal of cake by rotation

### Horizontal Dished Dimpled Filter Plates

- Complete drainage of filtrate
- Heel filtration, cake washing, extraction by cascade method
- Plates are self-supporting, no outer supports needed which would interfere with cake discharge

### Top-Mounted Drive System

- Main bearing never comes in contact with the media
- Cone bottom allows for dry cake discharge

## Benefits

- Elimination of danger from toxic or flammable media
- Sterile Processes easily maintained
- No product losses
- No residual liquid remains, cake stays dry
- No filtrate loss
- No mixing of batches by successive washing
- Minimal use of wash liquid or solvent
- Eliminates breakdown due to attack on main bearing
- Eliminates need of additional equipment to obtain dry cake

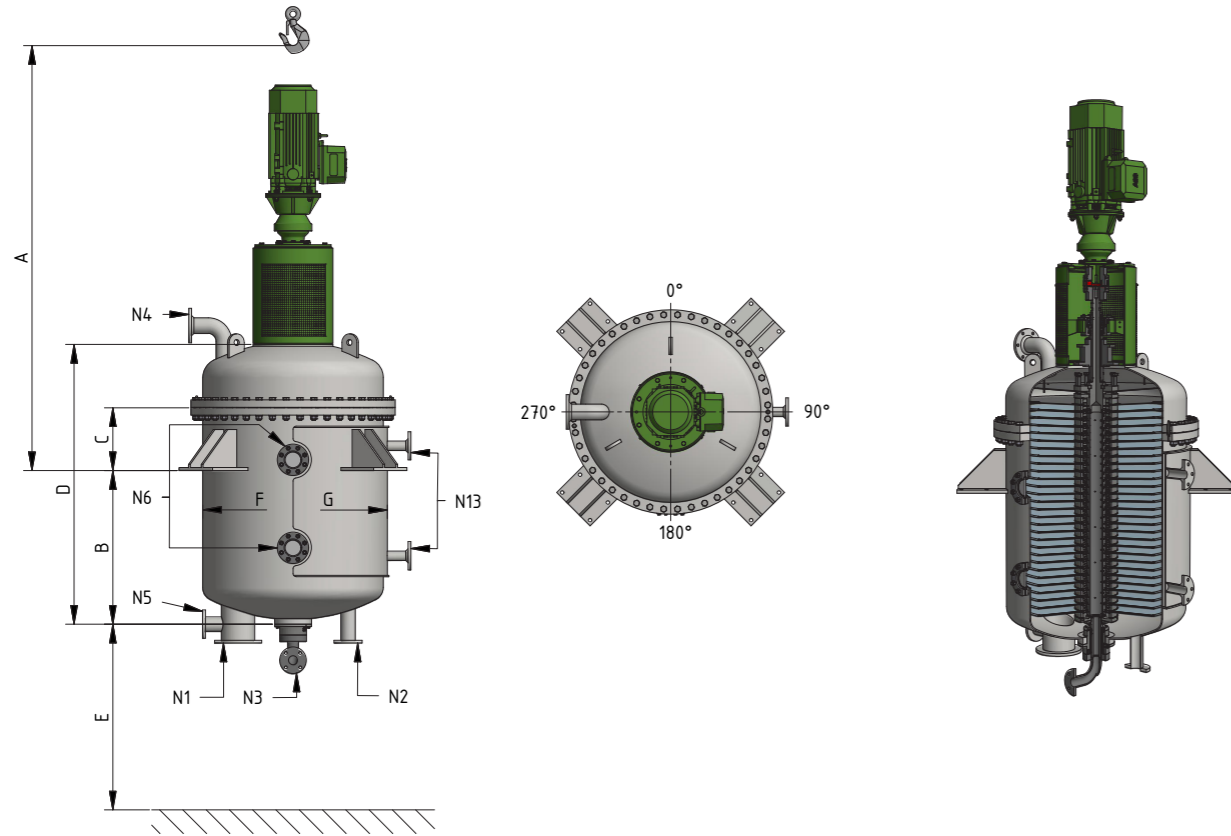
**Infolabel AG**  
Grossrietstrasse 7  
CH-8606 Nänikon/Uster

+41 (0)44 944 93 00  
info@chemap.ch  
www.chemap.ch

Chemap is a registered  
Trademark of Infolabel AG.

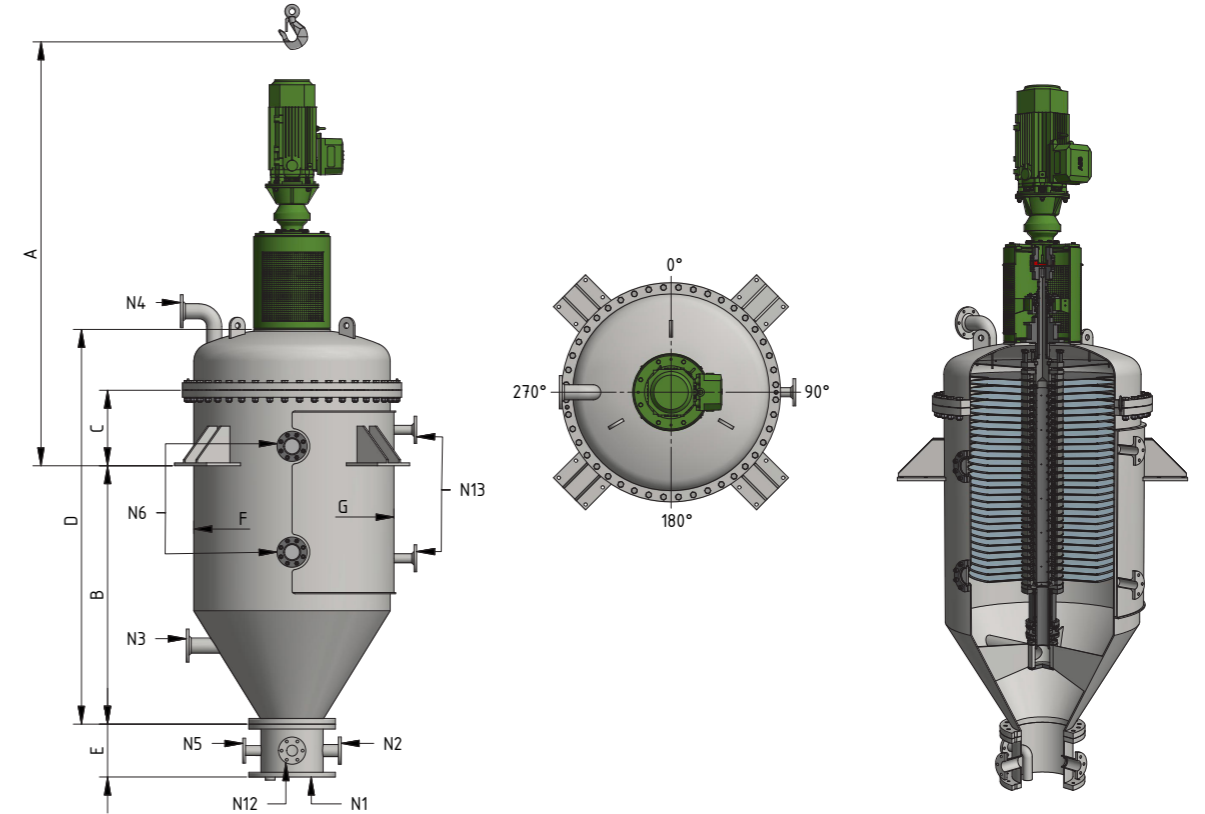


# Chemap®-Filter Type A



Filtersize	Product inlet	Filtrate outlet	Heel volume outlet	Collector nozzle	Cake outlet	Inspection port	Jacket nozzle	No. of filter discs	Plate diameter	Spacing of filterplates	Approximate dimensions only (mm)							Filter weight empty		Filling volume
	N2	N3	N5	N4	N1	No. DN80 N6	N13				A	B	C	D	E	F	G	Approx. kg	Approx. ltr	
1 m <sup>2</sup>	40	40	40	40	80	1	25	9	400	40	1540	325	250	820	400	500	540	930	160	
2 m <sup>2</sup>	40	40	40	40	80	1	25	18	400	40	1870	735	250	1230	400	500	540	1265	225	
5 m <sup>2</sup>	50	50	50	50	100	2	25	20	600	40	2090	870	250	1405	400	700	750	1730	480	
7 m <sup>2</sup>	50	50	50	50	100	2	25	16	800	40	2045	645	300	1230	500	900	950	1865	690	
10 m <sup>2</sup>	65	65	65	65	150	2	25	22	800	40	2265	880	300	1510	500	900	950	2400	840	
15 m <sup>2</sup>	80	80	80	80	150	2	25	33	800	40	2695	1420	300	2050	500	1000	1050	2665	1145	
20 m <sup>2</sup>	80	80	80	80	200	2	25	28	1000	40	2640	1060	400	1820	600	1150	1200	3065	1465	
25 m <sup>2</sup>	100	100	100	100	200	2	25	35	1000	40	2895	1390	400	2150	600	1150	1200	3330	1730	
30 m <sup>2</sup>	100	100	100	100	250	2	25	43	1000	40	3195	1760	400	2520	600	1150	1200	4000	2065	
35 m <sup>2</sup>	100	100	100	100	250	2	25	50	1000	40	3555	1990	500	2855	600	1150	1200	4400	2265	
40 m <sup>2</sup>	150	150	150	150	300	2	25	57	1000	40	3810	2315	500	3175	600	1150	1200	5330	2530	
45 m <sup>2</sup>	150	150	150	150	300	2	25	63	1000	40	4030	2505	500	3455	600	1150	1200	6665	3400	
50 m <sup>2</sup>	150	150	150	150	300	2	25	45	1250	40	4375	2075	500	3075	600	1400	1450	8665	4130	
60 m <sup>2</sup>	150	150	150	150	300	2	25	54	1250	40	4710	2500	500	3500	600	1400	1450	11330	4665	

# Chemap®-Filter Type R and RA



Filtersize	Product inlet	Filtrate outlet	Heel volume outlet	Collector nozzle	Cake outlet	RA-Slurry outlet	Inspection port	Jacket nozzle	No. of filter discs	Plate diameter	Spacing of filterplates	Approximate dimensions only (mm)							Filter weight empty		Filling volume
	N2	N3	N5	N4	N1	N12	No. DN80 N6	N13				A	B	C	D	E	F	G	Approx. kg	Approx. liters	
1 m <sup>2</sup>	40	40	40	40	250	50	1	25	9	400	40	1646	821	250	1336	200	500	540	1200	250	
2 m <sup>2</sup>	40	40	40	40	250	50	1	25	18	400	40	1970	1235	250	1750	200	500	540	1465	330	
5 m <sup>2</sup>	50	50	40	50	250	65	2	25	20	600	40	2220	1265	300	1880	300	700	750	2000	625	
7 m <sup>2</sup>	50	50	40	50	250	54	2	25	16	800	40	2240	1135	400	1900	300	900	950	2665	970	
10 m <sup>2</sup>	65	80	50	65	300	80	2	25	22	800	40	2474	1429	400	2194	300	900	950	3200	1170	
15 m <sup>2</sup>	80	100	65	80	400	100	2	25	33	800	40	2900	1965	400	2730	350	1000	1050	4000	1880	
20 m <sup>2</sup>	80	100	65	80	400	100	2	25	28	1000	40	2820	1700	500	2600	350	1150	1200	4130	2225	
25 m <sup>2</sup>	100	100	65	100	400	100	2	25	35	1000	40	3080	2030	500	2930	350	1150	1200	4665	2520	
30 m <sup>2</sup>	100	100	65	100	400	100	2	25	43	1000	40	3380	2402	500	3302	350	1150	1200	5330	2800	
35 m <sup>2</sup>	100	2x 100	65	100	400	100	2	25	50	1000	40	3740	2630	600	3630	350	1150	1200	6800	3130	
40 m <sup>2</sup>	150	2x 100	80	100	500	150	2	25	57	1000	40	4000	2955	600	3955	400	1150	1200	7865	3530	
45 m <sup>2</sup>	150	2x 100	80	100	500	150	2	25	63	1000	40	4210	3230	600	4230	400	1150	1200	9065	3770	
50 m <sup>2</sup>	150	2x 100	80	100	500	150	2	25	45	1250	40	4600	2940	600	4040	400	1400	1450	10665	5330	
60 m <sup>2</sup>	150	2x 100	80	100	500	150	2	25	54	1250	40	5140	3175	800	4470	400	1400	1450	13330	5865	